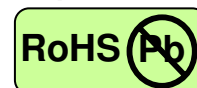


# 622Mbps ATM-Single Mode Transceiver



**1×9, Duplex SC Connector, 1310nm DFB LD for Single Mode Fiber, RoHS Compliant**

*Extended Operating Temperature from -40 to +85 °C*



## Features

- 1310nm DFB LD
- Data Rate: 622Mbps, NRZ
- Single +3.3V or +5V Power Supply
- RoHS Compliant and Lead-free
- DC/DC Differential Electrical Interface for SD PECL
- DC/DC Differential Electrical Interface for SD TTL
- Industry Standard 1×9 Output Footprint
- Duplex SC Connector
- Compliance with ATM Standard
- Eye Safety  
Designed to meet Laser Class 1 comply with EN60825-1

## Applications

- ATM/SONET OC-12/SDH STM-4
- Single mode fiber links
- Optical-Electrical Interface Conversion

## Description

The CT-0622TTR-Nx6C-A series from Coretek Opto Corp. are the high performance and cost-effective modules for serial optical data communication applications specified for single mode of 622 Mb/s. It operates with +5V or +3.3V power supply. The module is intended for single mode fiber, operates at a nominal wavelength of 1310nm and complies with the industry standard 1x9 footprint. Each module consists of a transmitter optical subassembly, a receiver optical subassembly and an electrical subassembly. All of them are housed in a plastic package and the combination produces a reliable component.

The module is a duplex SC connector transceiver designed to provide an ATM/SONET OC-12/SDH STM-4 compliant link for 622 Mb/s long reach applications. The characteristics are performed in accordance with Telcordia Specification GR-468-CORE.

## EMC

Most equipment utilizing high-speed transceivers will be required to meet the following requirements:

- 1) FCC in the United States
- 2) CENELEC EN55022 (CISPR 22) in Europe

To assist the customer in managing the overall equipment EMC performance, the transceivers have been designed to satisfy FCC class B limits and provide good immunity to radio-frequency electromagnetic fields.

## Eye Safety

The transceivers have been designed to meet Class 1 eye safety and comply with EN 60825-1.

# 622Mbps ATM-Single Mode Transceiver



## Product Information

Model Number	Operating Voltage & SD Output	Connector	Distance	LD Type & Wavelength	Output Power	Sensitivity
CT-0622TTR-N16C-A	5V PECL DC/DC	SC	40 km	1310 nm DFB	-3 ~ +2 dBm	≤-28 dBm
CT-0622TTR-N26C-A	3.3V PECL DC/DC					
CT-0622TTR-NA6C-A	5V TTL DC/DC					
CT-0622TTR-NE6C-A	3.3V TTL DC/DC					

## ABSOLUTE MAX RATINGS

PARAMETER	SYMBOL	MIN	MAX	UNIT	NOTE
Storage Temperature	T <sub>S</sub>	-40	85	°C	
Supply Voltage	V <sub>CC</sub>	0	6	V	
Lead Soldering Temperature/Time	T <sub>SOLD</sub>		260	°C	10 sec on lead
Data Input Voltage	---	0	V <sub>CC</sub>	V	

## OPERATING CONDITIONS

PARAMETER	SYMBOL	MIN.	TYP.	MAX.	UNIT	NOTE
Ambient Operating Temperature	T <sub>A</sub>	-40		85	°C	
Supply Voltage (for 3.3V)	V <sub>CC</sub>	3.10		3.50	V	
Supply Voltage (for 5.0V)	V <sub>CC</sub>	4.75		5.25	V	
Data Input Voltage Swing	V <sub>ID</sub>	400		1660	mV	

## ELECTRICAL CHARACTERISTICS

PARAMETER	SYMBOL	MIN	MAX	UNIT	NOTE
<b>Transmitter</b>					
Transmitter Supply Current	I <sub>CCR</sub>		200	mA	
Transmitter Data Input Current – Low	I <sub>IL</sub>	-350		μA	
Transmitter Data Input Current – High	I <sub>IH</sub>		350	μA	
Transmitter Data Input Voltage – Low	V <sub>IL</sub> -V <sub>CC</sub>	-1.84	-1.6	V	
Transmitter Data Input Voltage – High	V <sub>IH</sub> -V <sub>CC</sub>	-1.1	-0.9	V	
<b>Receiver</b>					
Receiver Supply Current	I <sub>CCR</sub>		100	mA	
Receiver Data Output Voltage – Low	V <sub>OL</sub> -V <sub>CC</sub>	-1.84	-1.6	V	1
Receiver Data Output Voltage – High	V <sub>OH</sub> -V <sub>CC</sub>	-1.1	-0.9	V	1
Signal Detect Output Voltage – Low (for PECL)	V <sub>OL</sub> -V <sub>CC</sub>	-1.84	-1.6	V	1
Signal Detect Output Voltage – High (for PECL)	V <sub>OH</sub> -V <sub>CC</sub>	-1.1	-0.9	V	1
Signal Detect Output Voltage – Low (for TTL)	V <sub>OL</sub>		0.8	V	
Signal Detect Output Voltage – High (for TTL)	V <sub>OH</sub>	2.0		V	

## TRANSMITTER ELECTRO-OPTICAL CHARACTERISTICS

PARAMETER	SYMBOL	MIN	TYP.	MAX	UNIT	NOTE
Optical Output Power	P <sub>O</sub>	-3		2	dBm	2
Extinction Ratio	ER	10			dB	
Center Wavelength	λ <sub>c</sub>	1290	1310	1325	nm	
Spectral Width (-20dB)	Δλ			1	nm	
Side Mode Suppression Ratio	SMSR	30			dB	
RIN	RIN			-116	dB/Hz	
Optical Rise time ( 20%-80% )	t <sub>r</sub>			1.2	ns	3
Optical Fall time ( 20%-80% )	t <sub>f</sub>			1.2	ns	3
Output Eye	Compliant with ITU recommendation G.957					

# 622Mbps ATM-Single Mode Transceiver



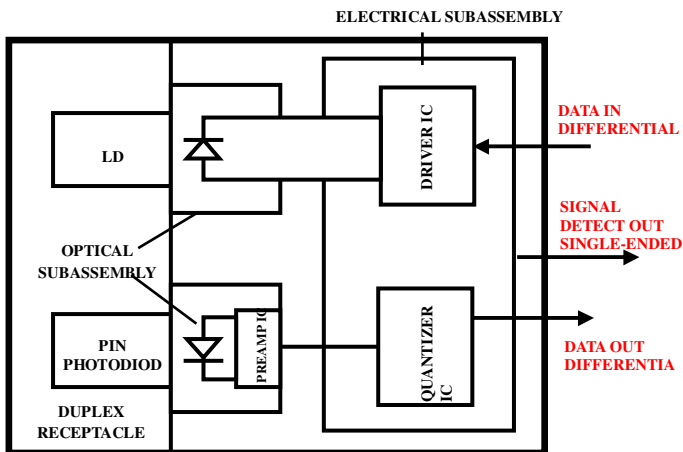
## RECEIVER ELECTRO-OPTICAL CHARACTERISTICS

PARAMETER	SYMBOL	MIN	TYP.	MAX	UNIT	NOTE
Maximum Input Optical Power	$P_{max}$	-3			dBm	4
Receiver Sensitivity	$P_{min}$			-28	dBm	4
Operating Wavelength	$\lambda$	1100		1600	nm	
Signal Detect - Asserted	$P_A$			-28	dBm	5
Signal Detect - Deasserted	$P_D$	-42			dBm	6

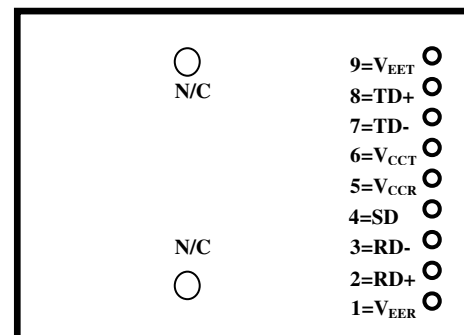
### Notes:

1. These outputs are compatible with 10K, 10KH, 100K ECL and PECL inputs.
2. Measured average power coupled into 9/125  $\mu$  m single-mode fiber.
3. These are 20-80% values.
4. Measured with  $2^{23}-1$  PRBS at BER< $10^{-10}$
5. Measured on transition – low to high
6. Measured on transition – high to low

## BLOCK DIAGRAM OF TRANSCEIVER



## PIN OUT DIAGRAM OF TRANSCEIVER



## PIN OUT TABLE

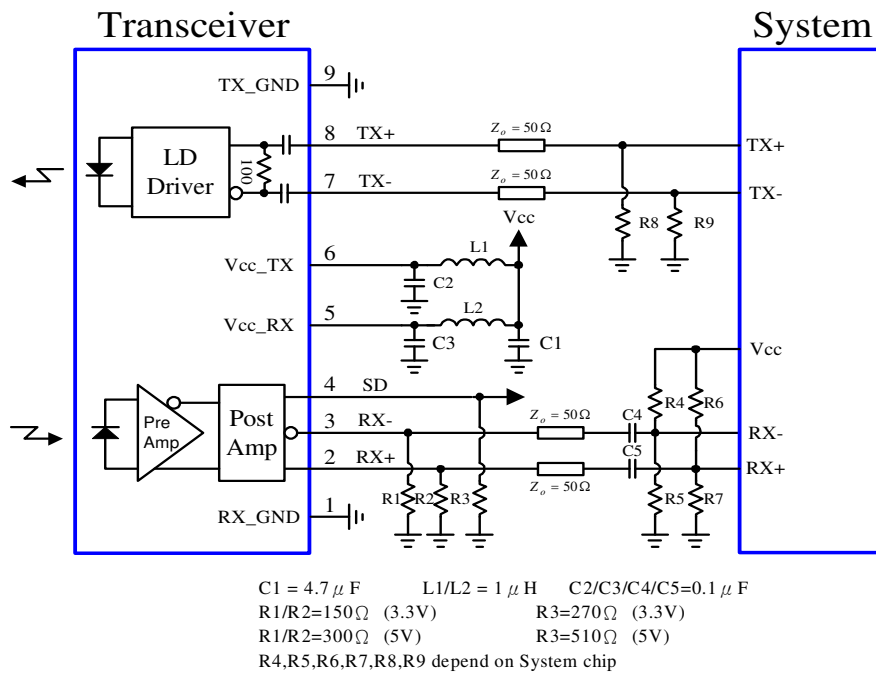
Pin	Symbol	Functional Description
Mounting Posts		
The mounting posts are provided for transceiver mechanical attachment to the circuit board. They should not be connected to the circuit ground but can be connected to the chassis ground.		
1	$V_{EER}$	Receiver Signal Ground
2	RD+	Receiver Data Non-inverted Differential Output
3	RD-	Receiver Data Inverted Differential Output
4	SD	Signal Detect is a PECL or TTL output. A high level indicates a received optical signal
5	$V_{CCR}$	Receiver Power Supply
6	$V_{CCT}$	Transmitter Power Supply
7	TD-	Transmitter Data Inverted Differential Input
8	TD+	Transmitter Data Non-inverted Differential Input
9	$V_{EET}$	Transmitter Signal Ground

# 622Mbps ATM-Single Mode Transceiver

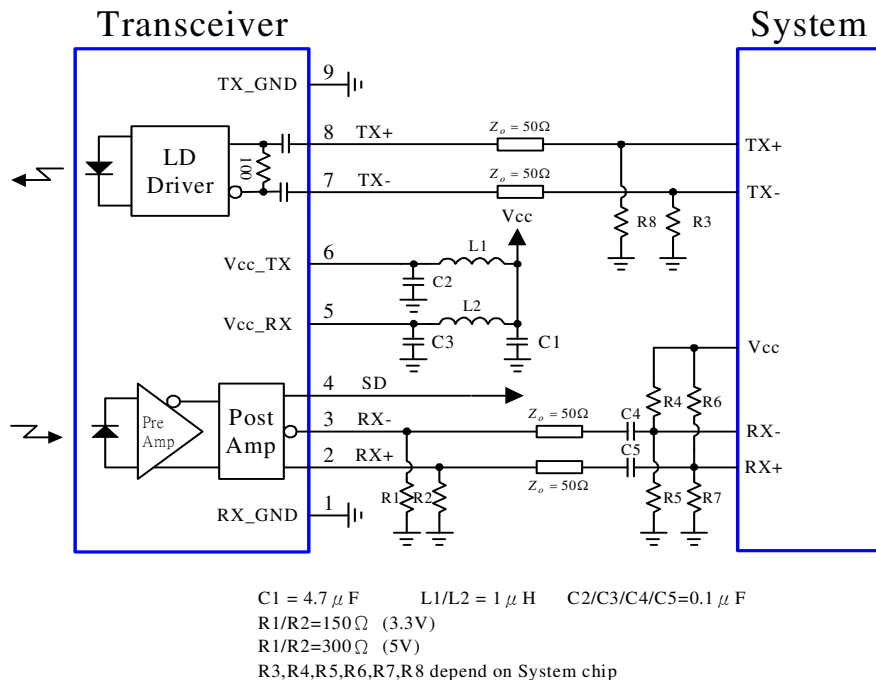


## RECOMMENDED CIRCUIT SCHEMATIC

### 1) SD PECL DC/DC Module



### 2) SD TTL DC/DC Module

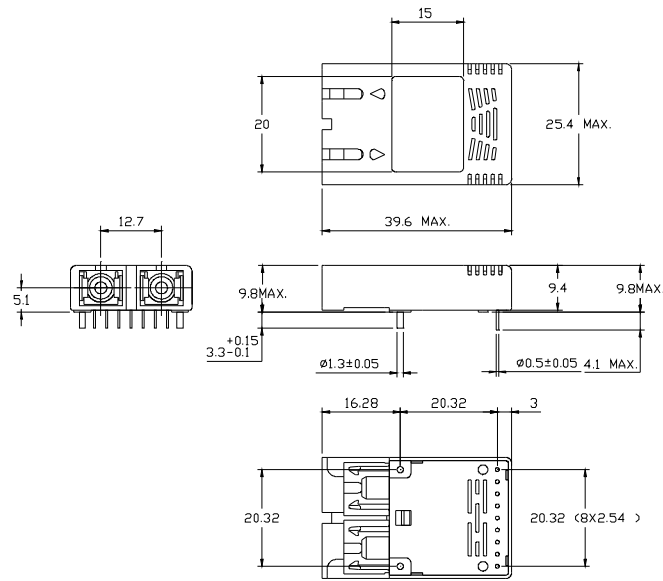


# 622Mbps ATM-Single Mode Transceiver



## MECHANICAL DIMENSIONS

Units in mm



DIMENSIONS ARE IN MILLIMETERS.  
ALL DIMENSIONS ARE  $\pm 0.1$ mm UNLESS OTHERWISE SPECIFIED.

### Claim:

CORETEK Opto Corp. reserves the right to make changes in the specification described hereinafter without prior notice.